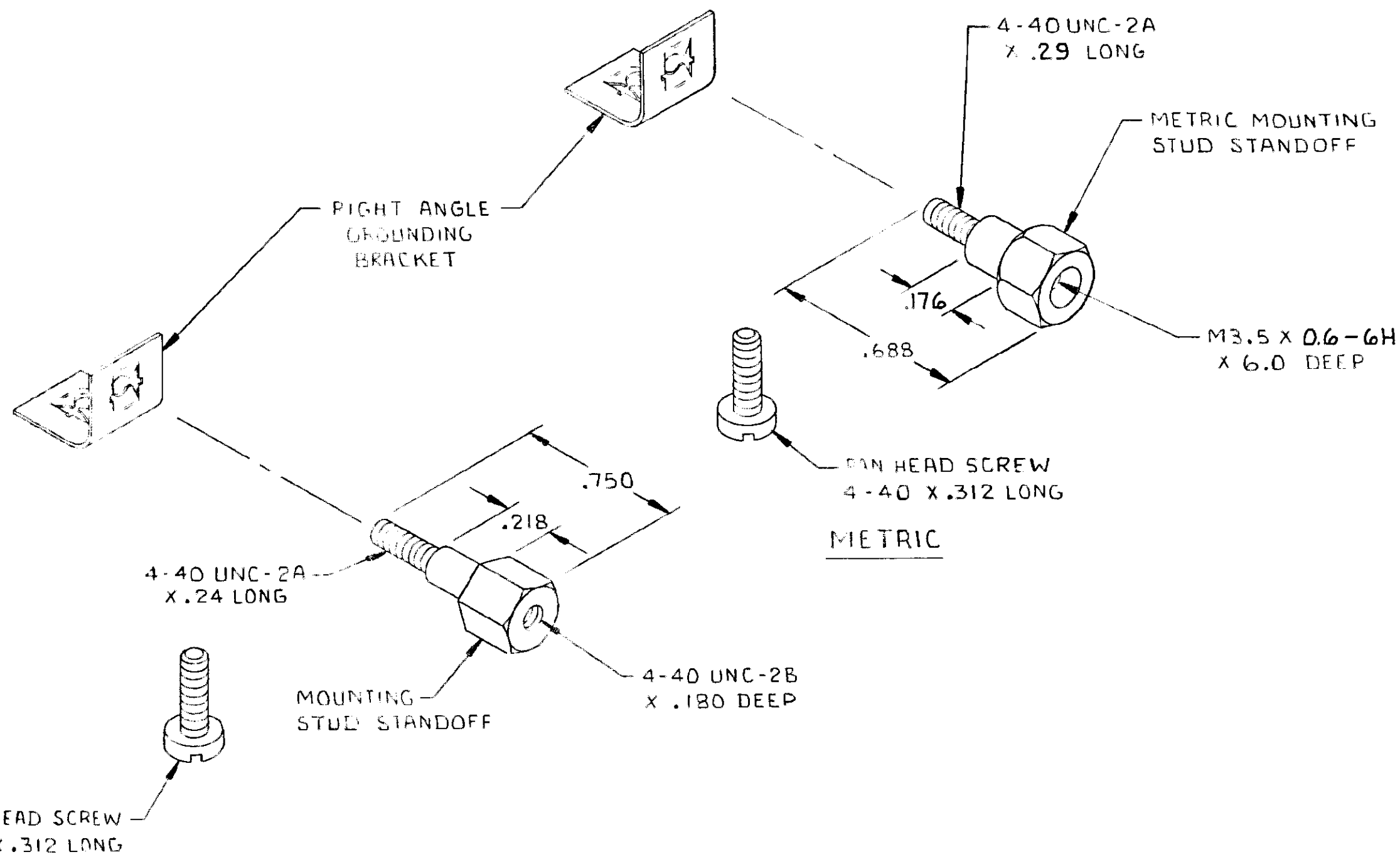


THIS DRAWING IS UNPUBLISHED. RELEASED FOR PUBLICATION . 19  
 © COPYRIGHT 19 BY AMP INCORPORATED, HARRISBURG, PA. ALL INTERNATIONAL RIGHTS RESERVED. AMP PRODUCTS MAY BE COVERED BY U.S. AND FOREIGN PATENTS AND/OR PATENTS PENDING.

| REVISIONS |   |      |     |                          |          |          |
|-----------|---|------|-----|--------------------------|----------|----------|
| P         | F | ZONE | LTR | DESCRIPTION              | DATE     | APPROVED |
|           |   | C    |     | OBS: -1; EC 0210-0373-95 | 11/17/88 | DS PC    |



1. ALL DIMENSIONS SHOWN ARE FOR REFERENCE ONLY UNLESS OTHERWISE SPECIFIED.
  2. TWO PIECES OF EACH REQUIRED PER KIT.
  3. ALL HARDWARE SHIPPED UNASSEMBLED.
- ⚠ MATERIAL: METRIC MOUNTING STUD - BLACK OXIDE COATED CARBON STEEL.  
 MOUNTING STUD - ZINC PLATE WITH YELLOW CHROMATE OVER STEEL.  
 PAN HEAD SCREW - PASSIVATED STAINLESS STEEL.  
 BRACKET - ZINC PLATED STEEL.

553638

|                  |          |
|------------------|----------|
| METRIC           | 553638-2 |
| TYPE OF MOUNTING | PART NO  |

|   |                         |   |       |  |         |
|---|-------------------------|---|-------|--|---------|
| UNLESS OTHERWISE SPECIFIED DIMENSIONS ARE IN INCHES<br>TOLERANCES ON:<br>DECIMALS ±<br>ANGLES ± | CONTRACT NO             | <b>AMP</b>   AMP INCORPORATED<br>Harrisburg, Pa 17105 |       |  |         |
|   | DR<br>U Holt 11-12-81   |   |       |  |         |
|   | MATERIAL                | CHK<br>MD Inlet 11-25-81                              | NAME  | KIT, HARDWARE, EMI, RIGHT ANGLE, STANDARD/METRIC (CHAMP) |         |
|   | APPD<br>J. King 12/7/81 | APPD<br>T. K. Product 12/7/81                         | SIZE  |  | FSCM NO |
| FINISH  | OTHER APPD              | C   | 00779 | 553638   |         |
|   |                         | SCALE   | 2/1   | SHEET 1 OF 1   |         |